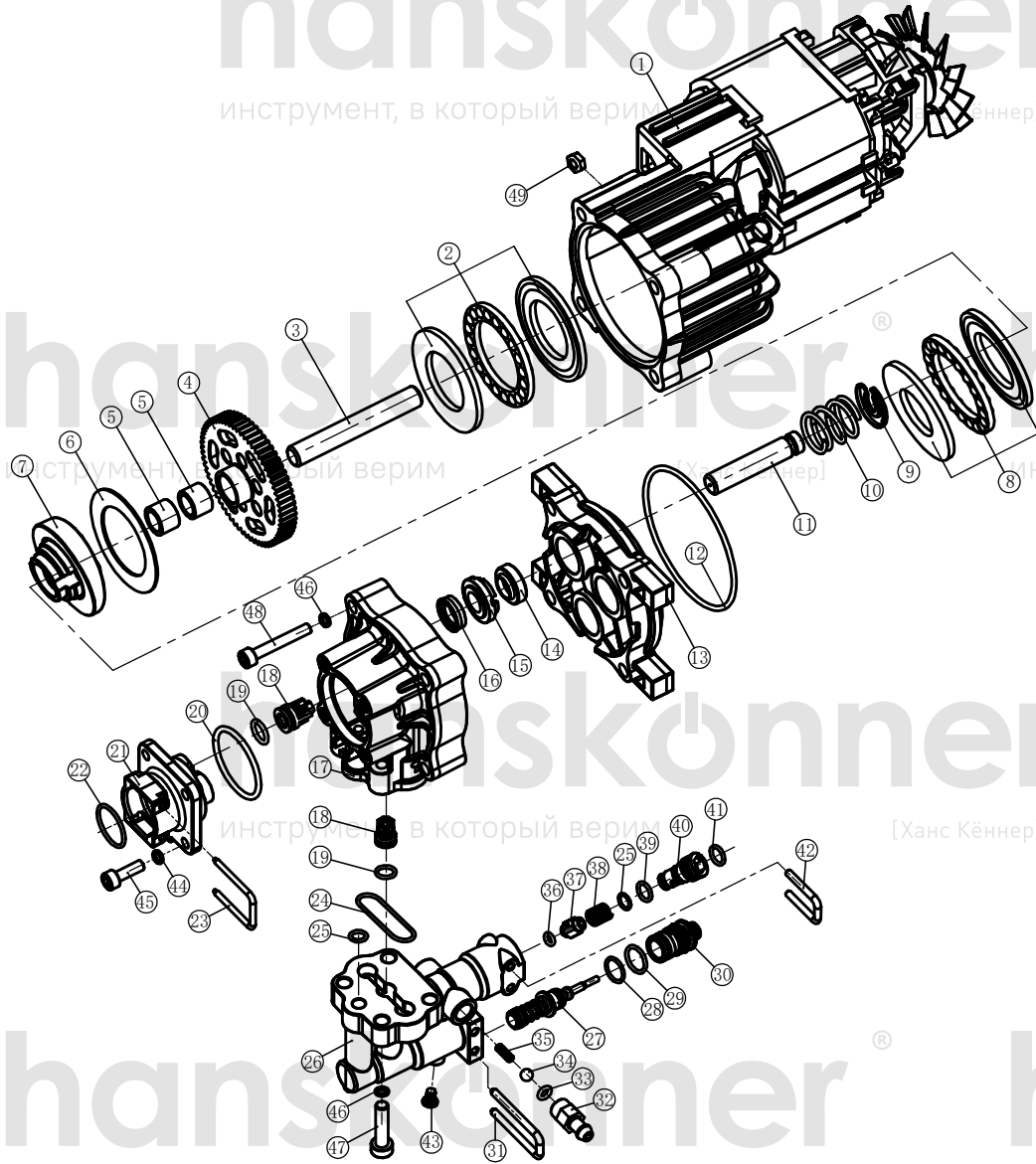


HPW9224

NO.	DESCRIPTION	NO.	DESCRIPTION
1	MOTOR PUMP ASS	35	GUN HANDLE SUPPORT
2	STATOR CLIP	36	GUN STAND
3	AIR BAFFLE	37	BUTTSTOCK
4	AIR BAFFLE COVER	38	BACK ALUMINIUM PIPE
5	WATER-OUTLET CONNECTOR	39	NOZZLE PLUG
6	OUTLET BUTTON	40	PULL ROD ASSEMBLY
7	OUTLET SPRING	41	ORGANISM
8	SWITCH COVER	42	ORNAMENT
9	PRESSURIZER SWITCH	43	SWIVEL CASTER
10	AUTO STOP WIRE	44	UNIVERSAL WHEEL SUPPORT
11	SWITCH BRACKET	45	UNIVERSAL WHEEL SHAFT
12	BOLT	46	UNIVERSAL WHEEL TRANSVERSE SHAFT
13	SUCTION TUBE	47	LARGE ROLLER SHAFT
14	SPRING	48	ROAD WHEEL
15	SUCTION PIPE CLAMP	49	WHEEL BLOCK
16	INLET	50	RUNNING WHEEL COVER
17	MOTOR BRACKET	51	LOWER COVER PLATE OF BODY
18	LOWER COVER OF SWITCH BOX	52	IMPACT STRING
19	MASTER SWITCH	53	SOAP FLUID BOTTLE
20	SWITCH KNOB SHAFT	54	SOAP LIQUID KETTLE GASKET
21	O-RING	55	SOAP LID
22	SPRING PLATE	56	DUCKBILL VALVE
23	UPPER COVER OF SWITCH BOX	57	POWER LINE
24	SWITCH KNOB	58	PUMP HEAD RETAINER
25	FOAM CAKE	59	TAPPING SCREW
26	UPPER COVER INSERT	60	TAPPING SCREW
27	HANDLE	61	CONNECTOR MODULE
28	HANDLE COVER	62	OUTLET HOSE
29	THE LOOSE FASTENING ASSEMBLY	63	PRESSURE GUN
30	LOOSE BUTTON	64	WAND
31	LOOSE FASTENING GUIDE ROD	65	PLUG THE SPRINKLER
32	ELASTIC BOLT	66	ROTARY NOZZLE
33	SPRING	67	DETERGENT TANK
34	OUTER ALUMINIUM TUBE	68	CLEANSING NEEDLE

hanskonner®

инструмент, в который верим [Ханс Кённер]



hanskonner®

инструмент, в который верим [Ханс Кённер]

HPW9224

NO.	DESCRIPTION	NO.	DESCRIPTION
1	MOTOR	26	WATER OUTLET BODY
2	LOWER BEARING	27	UNLOADER VALVE
3	TRANSMISSION SHAFT	28	O-RING
4	GEAR	29	O-RING
5	NEEDLE BEARING	30	VALVE BODY
6	THRUST NEEDLE ROLLER BEARING PAD	31	BOLT
7	SWASH PLATE	32	MIXED LIQUID PIPE JOINT
8	UPPER BEARING	33	O-RING
9	SPRING PLATE	34	STEEL BALL
10	SPRING	35	MIXED LIQUID SPRING
11	PISTON	36	O-RING
12	O-RING	37	BACK-PRESSURE VALVE
13	PISTON GUIDE	38	SPRING
14	OIL SEALING	39	O-RING
15	WASHER	40	VENTURI THROAT
16	WATER SEALING	41	O-RING
17	PUMP HEAD	42	BOLT
18	CHECK VALVE	43	HEXAGON BOLT
19	O-RING	44	FLAT GASKET
20	O-RING	45	HEXAGON BOLT
21	WATER INLET BODY	46	GASKET
22	O-RING	47	HEXAGON BOLT
23	INLET BOLT	48	HEXAGON BOLT
24	M-RING	49	NUT
25	O-RING		

HPW9224-EX-2024022601KCL

hanskonner®

инструмент, в который верим [Ханс Кённер]

hanskonner®

инструмент, в который верим [Ханс Кённер]

[Ханс Кённер]